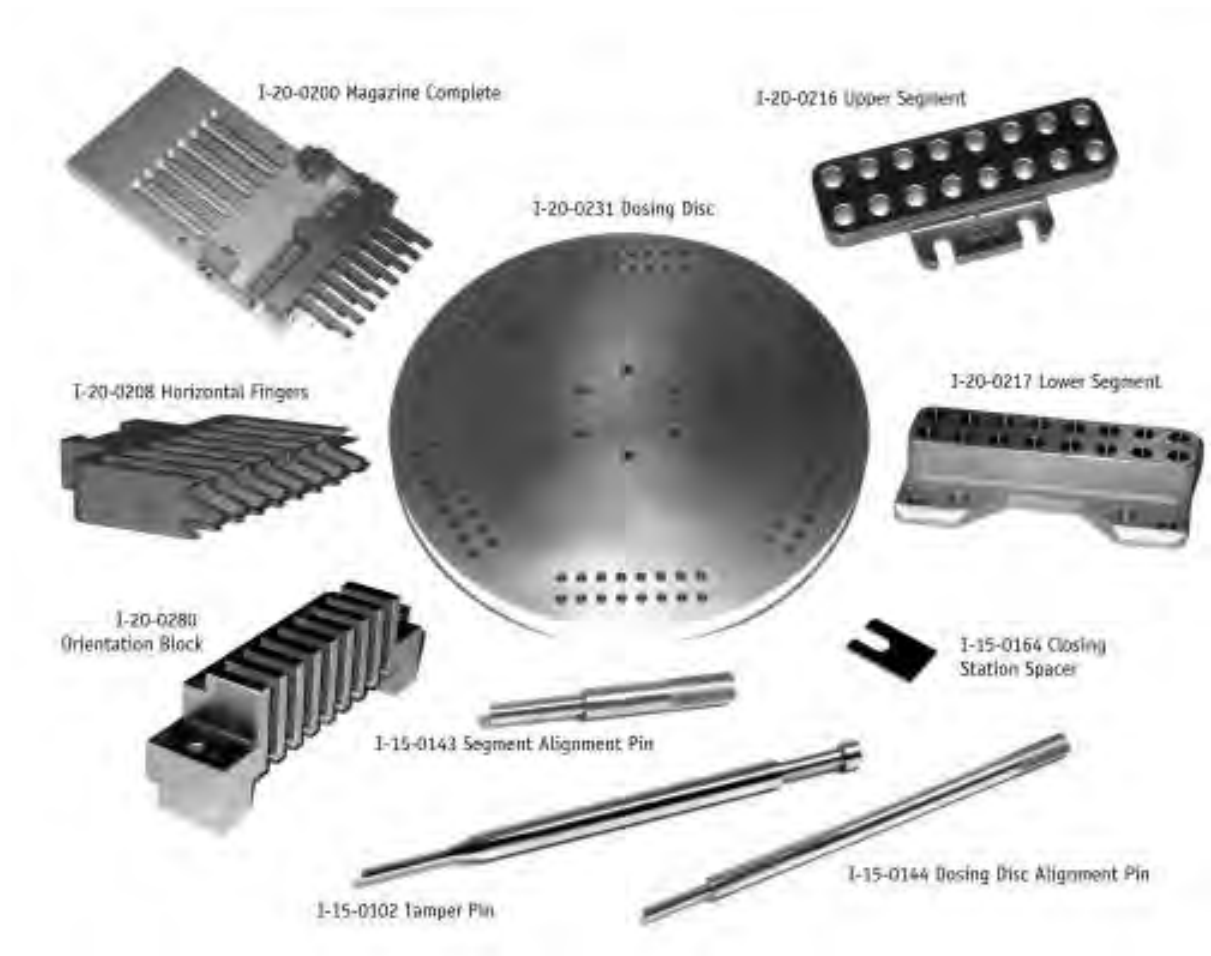




**Index 16 CT Series Encapsulator**  
Spare Part and Tooling Catalog

MODEL: K120, K150

TOOLING



Item No.	Description	Qty in Set
I-15-0102	Tamper Pin	96
I-15-0143	Segment Alignment Pin	2
I-15-0144	Dosing Disc Alignment Pin	2
I-15-0164	Closing Station Spacer	1
I-20-0231	Dosing Disc	1
I-20-0200	Magazine Complete	2
I-20-0208	Horizontal Fingers	2
I-20-0216	Upper Segment	12
I-20-0217	Lower Segment	12
I-20-0231	Dosing Disc	1
I-20-0280	Orientation Block	2

I-20-0000-Size

Complete Format Set (Specify Size)

# TOOLING



I-15-0102-size  
Tamping Pin, Sz x  
(96/set)



I-15-0143-size  
Segment Alignment Pin, Sz x  
(2/set)



I-15-0144-size  
Dosing Disc Alignment Pin, Sz x  
(2/set)



I-15-0164  
Closing Station Spacer  
(1/set)



I-20-0208-size  
Horizontal Finger, 16 CT, Sz x  
(2/set)

## TOOLING



**I-20-0216-size**  
Upper Segment, 16 CT, Sz x  
(12/set)



**I-20-0217-size**  
Lower Segment, 16 CT, Sz x  
(12/set)



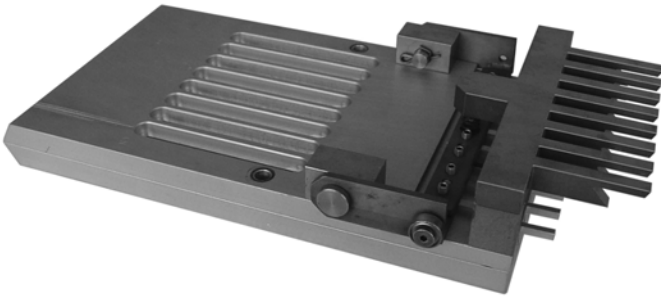
**I-20-0231-Size-mm thick**  
Ex. I-20-0231-0-19.5  
Dosing Disc, 16 CT, Sz 0, 19.5mm

**Dosing Disc, 16 CT, Sz x, xx.xmm**  
(1/set)



**I-20-0280-x**  
Orientation Block, 16 CT, Sz x  
(2/set)

## TOOLING



I-20-0200-x  
Magazine Complete, 16 CT, Sz x  
(2/set)



I-20-0203-x  
Vertical Fingers, 16 CT, Sz x  
(2/set)



I-20-0205-x  
Magazine Front, 16 CT, Sz x  
(2/set)



I-20-0206-x  
Magazine Rear, 16 CT, Sz x  
(2/set)

## TOOLING



I-20-0209  
Magazine Assembly Block, 16  
CT  
(2/set)



I-15-0108LS  
Leaf Spring  
16 per machine

## COMMON SPARE PARTS, 16 CT



I-20-0240-x.x

Guide Plate, Closing Pin, 16 CT,  
x.xmm

1 per machine  
See Chart in Shared Section



I-20-0234

Powder Wiper, 16 CT

1 per machine



I-20-0223-ASSY

Tamping Pin Holder Assembly,  
16 CT

-5 per machine

## COMMON SPARE PARTS, 16 CT



I-20-0232

Powder Ring Plate, 16 CT

1 per machine



I-20-0235

Tamper Guide Plate, 16 CT

1 per machine



I-20-0243

Ejection Pin, 16 CT, 4.0mm

16 per machine



I-20-0245

Ejection Pin Guide Plate, 16 CT

1 per machine



## COMMON SPARE PARTS, 16 CT



I-20-0241

Closing/Ejection Pin Holder  
Plate, 16 CT

2 per machine



I-20-0238

Selection Arm, Faulty Ejection,  
16 CT

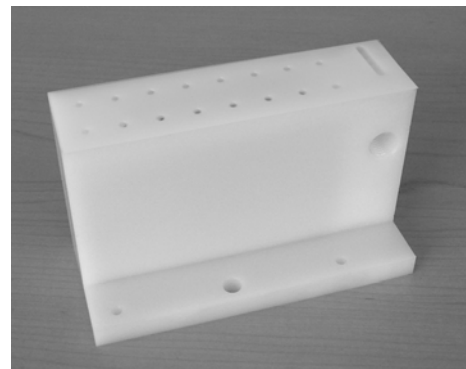
1 per machine



I-20-0242

Faulty Ejection Station Manifold,  
16 CT

1 per machine



I-20-0236

Fiber Optic Housing, 16 CT

1 per machine

## COMMON SPARE PARTS, 16 CT



I-20-0214

Separation Pin, 16 CT

16 per machine



I-20-0215

Separation Pin Holder Plate, 16  
CT, w/Bushings

2 per machine



I-20-0218A

Suction Shoe, Left, 16 CT,  
Assembly

1 per machine

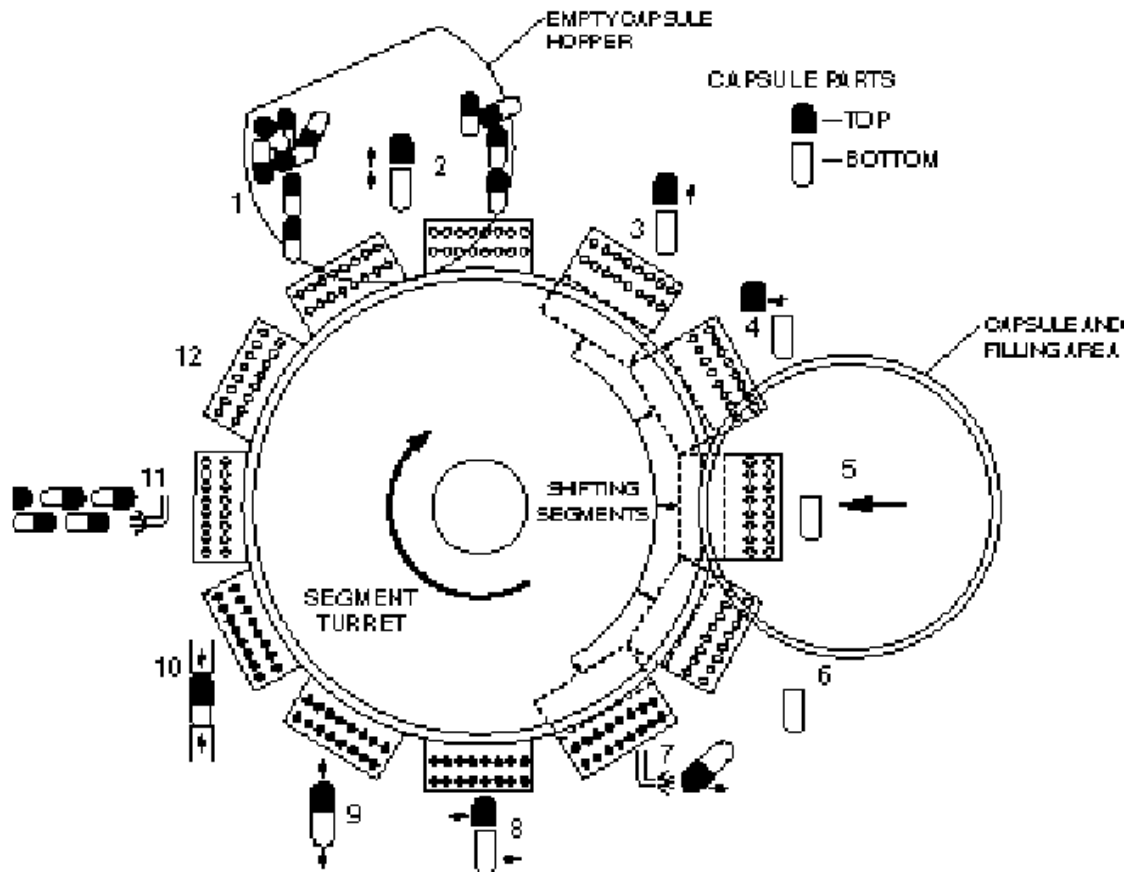


I-20-0220A

Suction Shoe, Right, 16 CT,  
Assembly

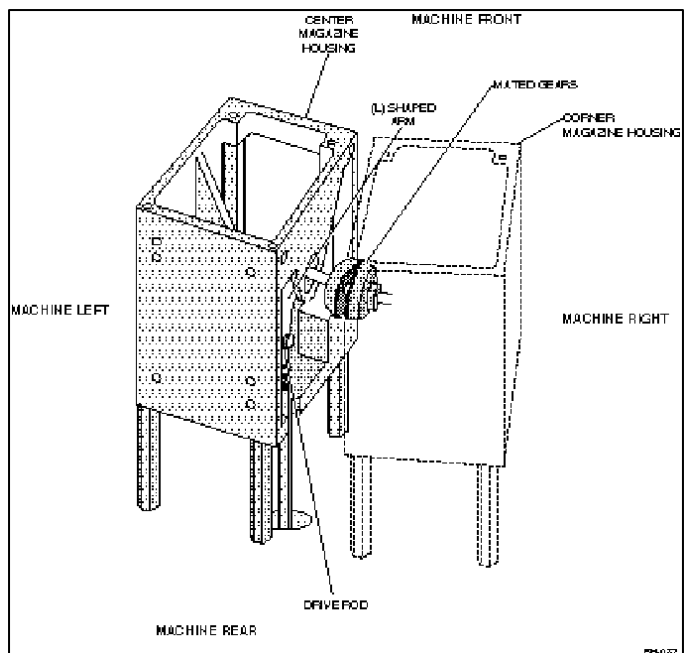
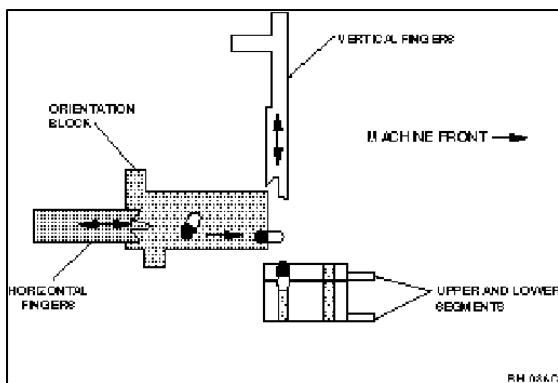
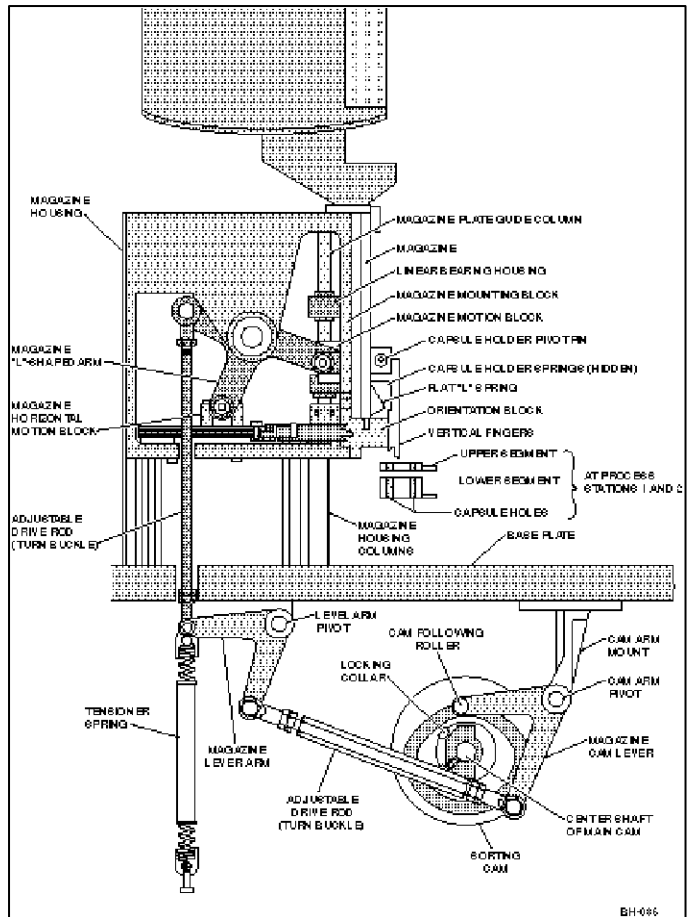
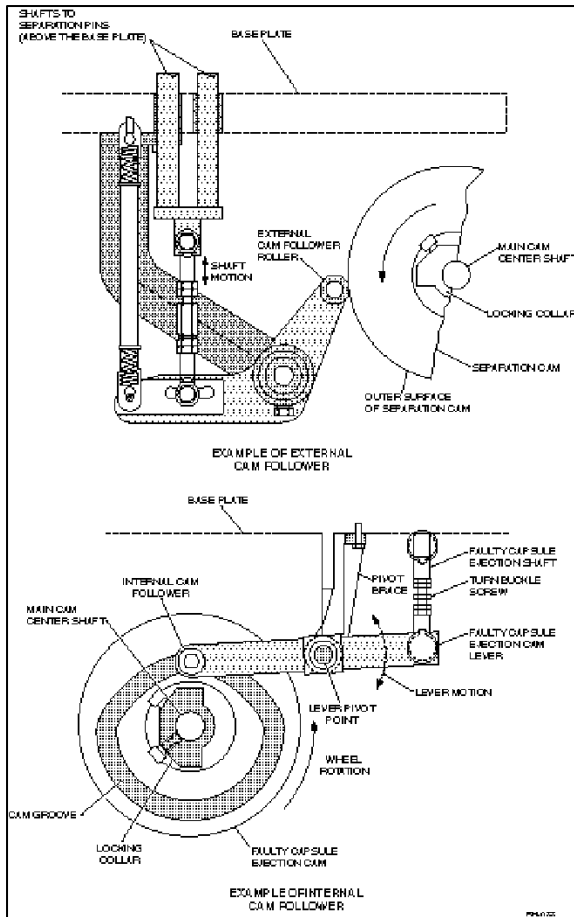
1 per machine

# STATIONS SET UP

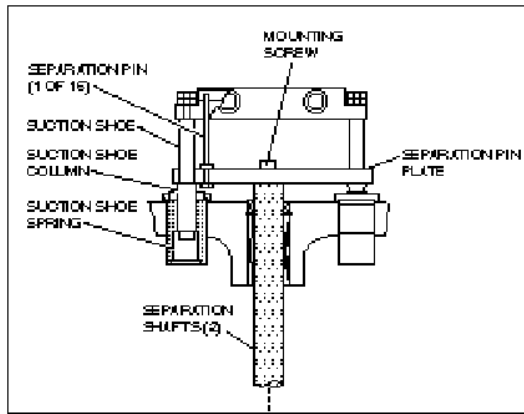


STATIONS	
1 & 2	CAPSULE FEED, LOADING, AND SEPARATION
3	SEGMENT SEPARATION (VERTICAL SHIFT)
4	CAP REMOVAL (HORIZONTAL SHIFT)
5	POWDER DOSING STATION
6	OPEN (NOT USED)
7	UNSEPARATED (FAULTY) CAPSULE EJECTION
8	REALIGNMENT OF CAPSULES (HORIZONTAL SHIFT)
9	SEGMENT COMBINATION (VERTICAL SHIFT)
10	CLOSING STATION
11	EJECTION STATION (FINISHED PRODUCT)
12	HIGH INTENSITY SEGMENT CLEANING STATION

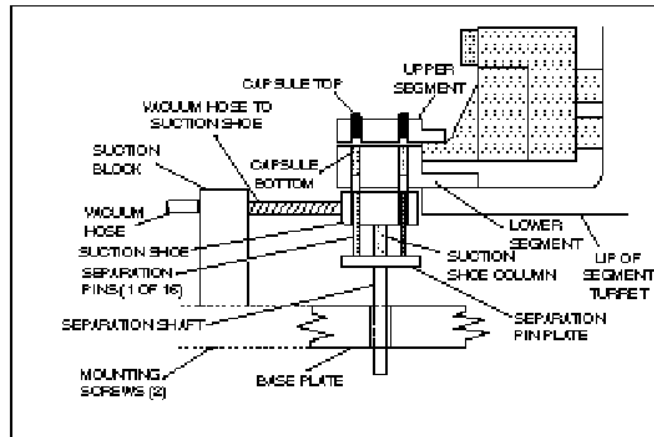
# SORTING AND SEPARATION



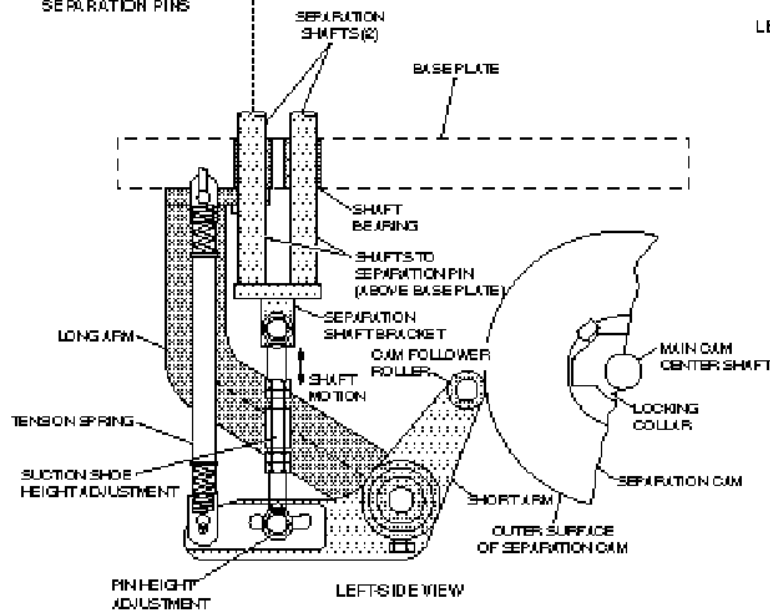
# SORTING AND SEPARATION



REAR-SIDE VIEW OF SEPARATION PINS



LEFT-SIDE VIEW OF SEPARATION PINS



## SORTING AND SEPARATION



**I-20-0220A**  
Suction Shoe, Right, 16 CT,  
Assembly  
1 per machine



**I-20-0218A**  
Suction Shoe, Left, 16 CT,  
Assembly  
1 per machine



**I-20-0214**  
Separation Pin, 16 CT  
16 per machine



**I-20-0215**  
Separation Pin Holder Plate, 16  
CT, w/Bushings  
2 per machine



**I-15-1840**  
Du Bushing (separation pin plate)  
4 per machine



**I-15-0131N**  
Vacuum Shoe Guide Column  
4 per machine

**I-15-0131M**  
Vacuum Shoe Guide Column Bolt  
4 per machine

## SORTING AND SEPARATION



I-15-0161A  
Vacuum Shoe Guide Column  
Bushing, Assembly  
4 per machine



I-15-0161-S  
Vacuum Shoe Guide Column  
Spring  
4 per machine



I-15-1801  
Rod Wiper, Vacuum Shoe Guide  
Column  
4 per machine

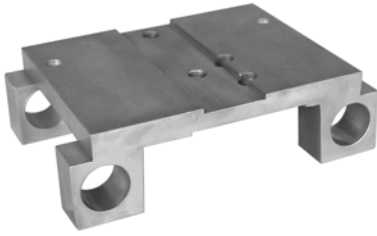


I-15-1103L or R  
Magazine Housing Left or Right  
1 each per machine



I-15-1605  
ES-5 Slide, Flat Linear Bearing  
4 per machine

## SORTING AND SEPARATION



I-15-0158  
Magazine Mount Block  
2 per machine



I-15-0159  
Magazine Motion Block  
4 per machine



I-15-1017  
Bearing Slide Plate  
2 per machine



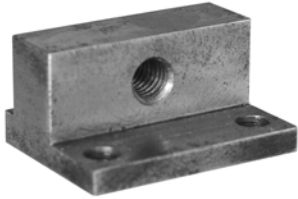
I-15-1019L  
Magazine Bevel Gear Left  
1 per machine



I-15-1019R  
Magazine Bevel Gear Right  
1 per machine



## SORTING AND SEPARATION



I-15-1037

Horizontal Finger Mount Block  
2 per machine



I-15-0153

Separation Station Shaft  
2 per machine



I-15-1076

Magazine Housing Shaft - Short  
1 per machine



I-15-1077

Magazine Housing Shaft  
1 per machine



I-15-1113

Magazine Plate Guide Column  
4 per machine

## SORTING AND SEPARATION



I-15-1119  
Magazine Upper Activating Rod  
1 per machine



I-15-1118  
Magazine Lower Activating Rod  
1 per machine



I-15-1048  
Separation Arm Assembly Shaft  
1 per machine



I-15-1065  
Separation Cam  
1 per machine



I-15-1066  
Sorting Cam  
1 per machine

## SORTING AND SEPARATION



I-15-1078  
Magazine Slide Arm  
1 per machine



I-15-1079  
Magazine Activating Arm  
2 per machine



I-15-1618  
Magazine Bearing, R3ZZ  
2 per machine



I-15-1625  
Rod End Left M10, Separation  
Drive, PHS10-LA  
2 per machine

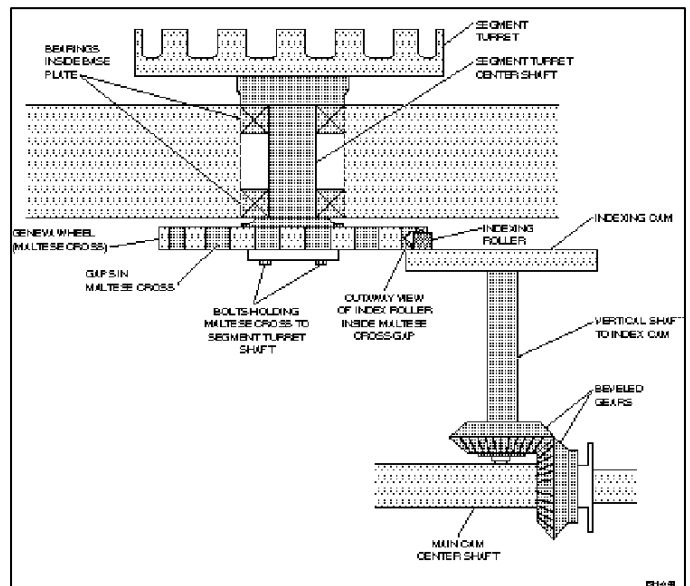
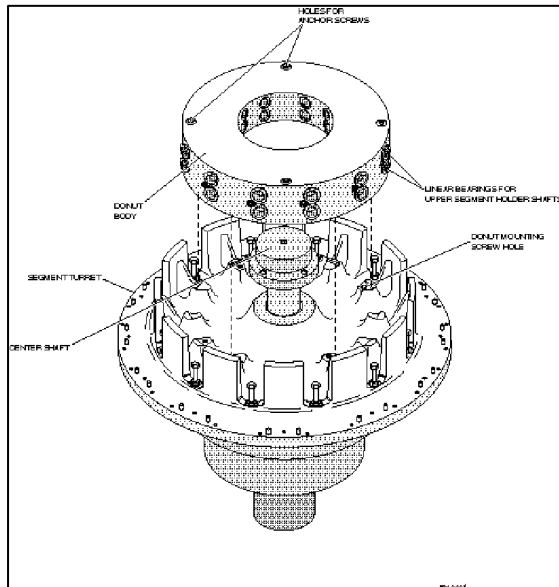
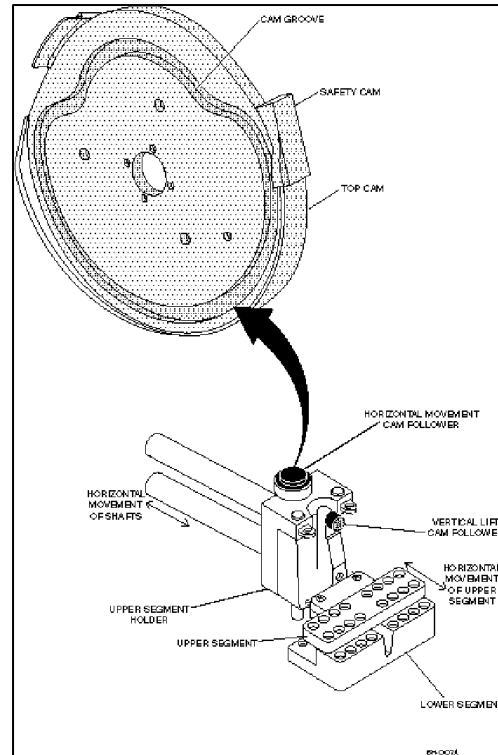
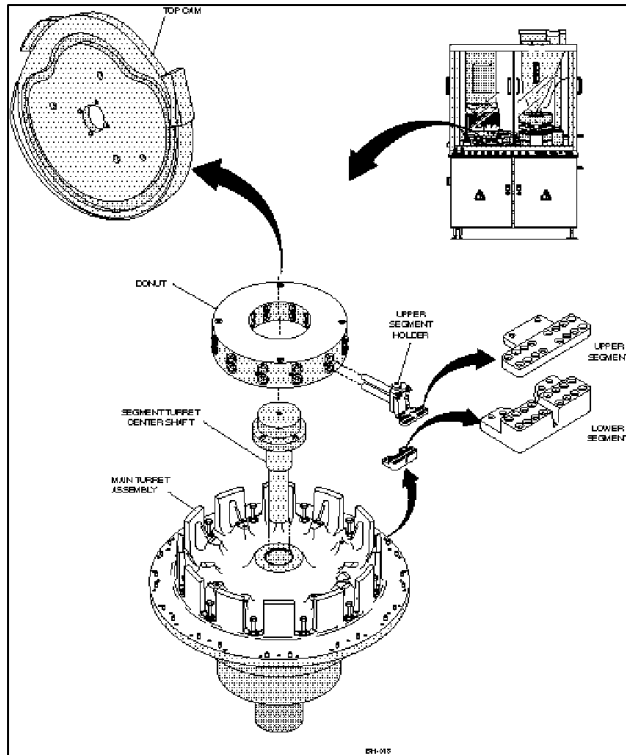


I-15-1626  
Rod End Right M10, Separation  
Drive, PHS10A  
2 per machine



I-15-1045  
Separation Lever Arm  
1 per machine

# CAPSULE CARRIER & GENEVA DRIVE



## CAPSULE CARRIER & GENEVA DRIVE



I-15-1067  
Top/Profile Cam  
1 per machine



I-15-1084  
Segment Separation Plate  
1 per machine



I-15-0133  
Station Holder Assembly  
12 per machine



I-15-0138  
Shaft, Long, Horizontal  
12 per machine



I-15-0139SS  
Segment Return Spring, SS  
24 per machine



I-15-1622  
Cam Follower CF-6-BR  
12 per machine

## CAPSULE CARRIER & GENEVA DRIVE



I-15-1501  
Main Geneva Drive  
1 per machine



I-15-1069  
Indexing/Peanut Cam  
1 per machine



I-15-1069-H  
Indexing Cam Hub  
1 per machine



I-15-1459  
Shoulder Bolt for Cap Geneva  
Drive Hub  
2 per machine

# CAPSULE CARRIER & GENEVA DRIVE



**I-15-1508**

Lock Arm Capsule Geneva Drive  
1 per machine



**I-15-1055-CG**

Brake Shoe Capsule Geneva  
1 per machine



**I-15-1600**

Linear Bearing LME  
162636UUAJ  
48 per machine



**I-15-1601**

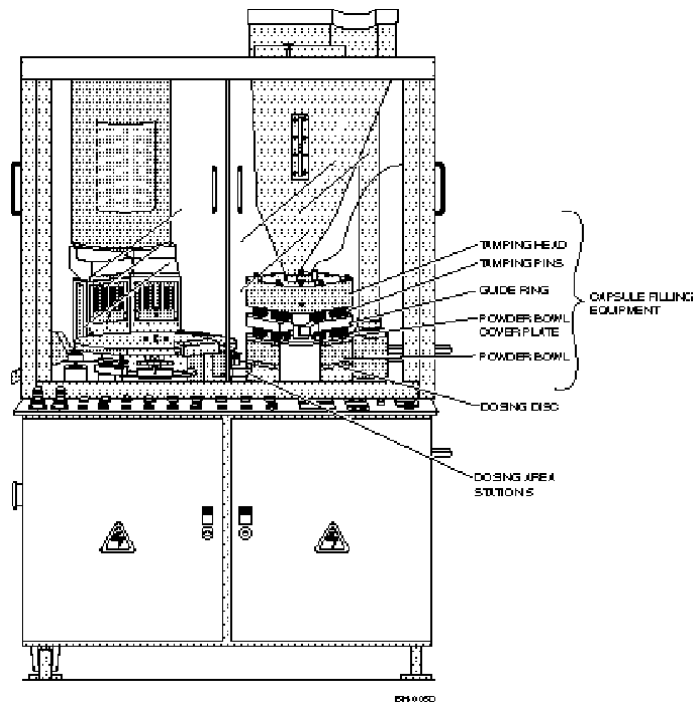
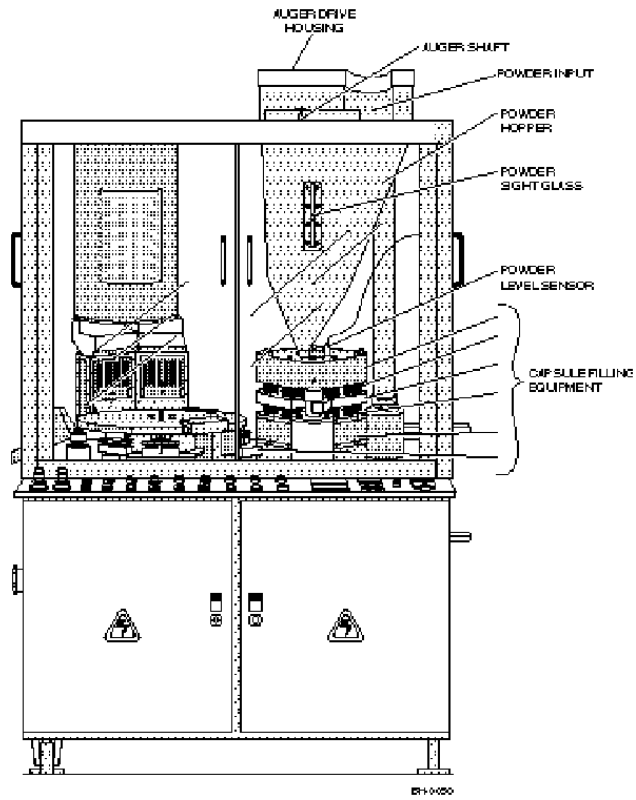
Linear Bearing LME  
122232UUAJ  
9 per machine



**I-15-1802**

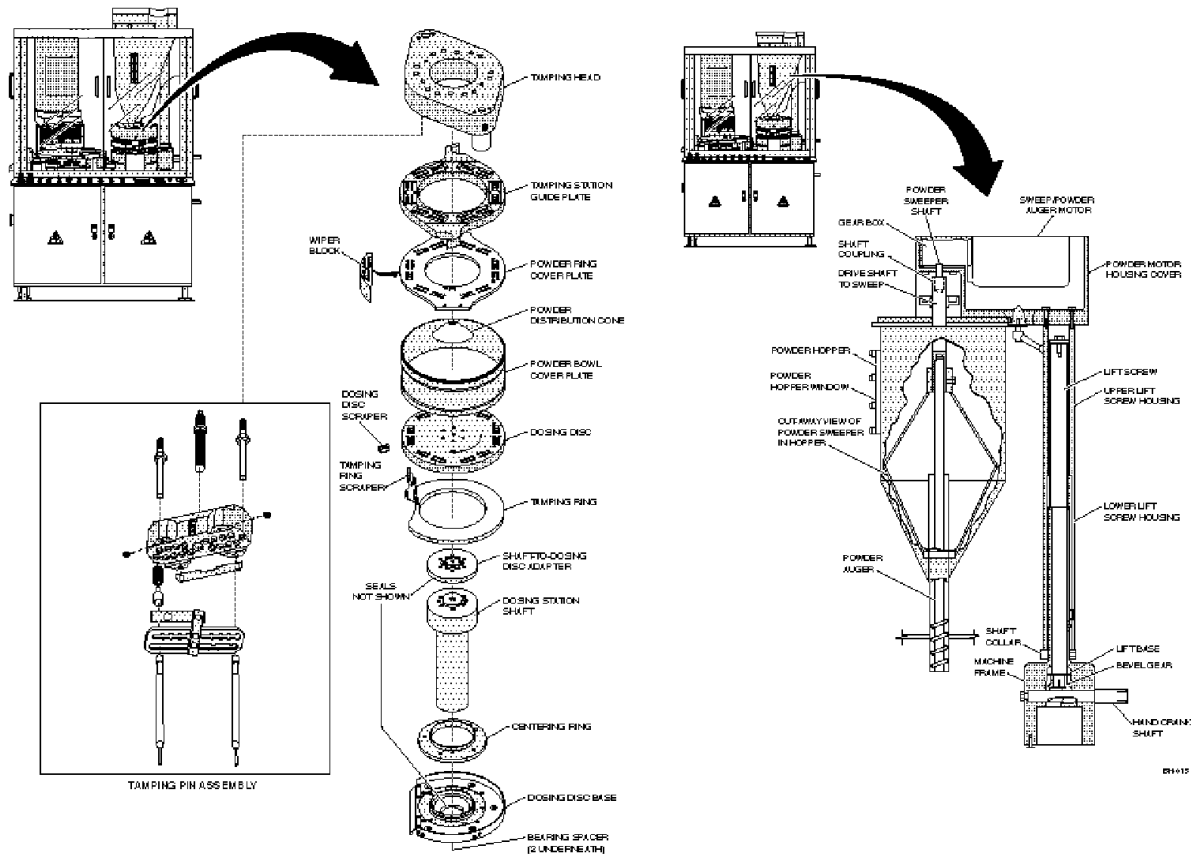
Station Holder Rod Wiper  
24 per machine

# TAMPING AND POWDER DOSING

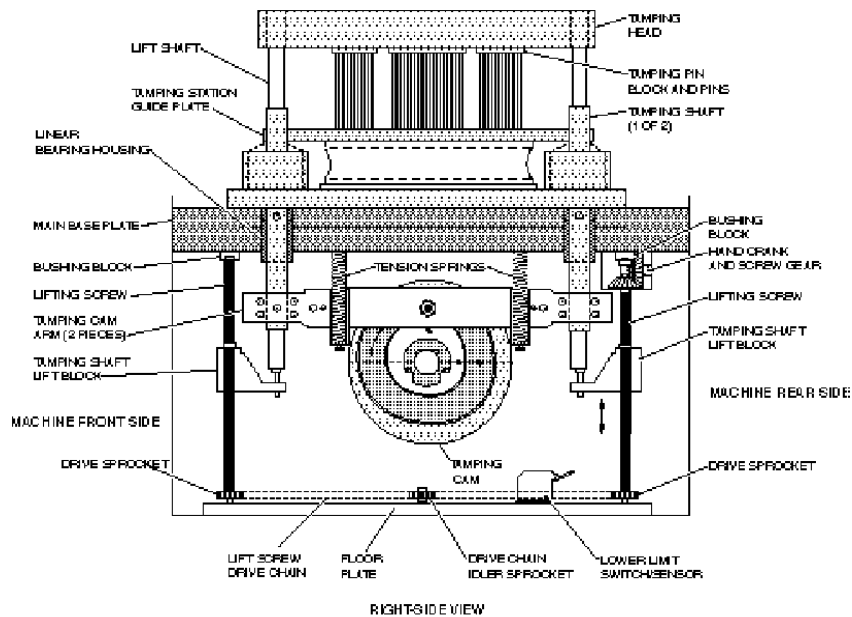




# TAMPING AND POWDER DOSING



04117



04119

# TAMPING AND POWDER DOSING



I-15-1020  
Tamper Block Housing  
1 per machine



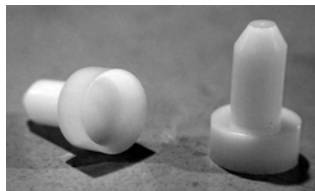
I-15-1433  
Tamping Block Scale (Straight)  
1 per machine  
I-15-1433A  
Tamping Block Scale (Angle)  
5 per machine



I-20-0223-ASSY  
Tamping Pin Holder Assembly,  
16 CT  
5 per machine



I-15-0140-H  
Tamper Compression Spring-  
Heavy  
**80 per machine**



I-15-0141-D  
Tamper Pin Cap, Delrin  
**80 per machine**



I-15-0157  
Spring Clip Lock  
6 per machine

## TAMPING AND POWDER DOSING



I-15-1007  
Tamping Shaft  
2 per machine



I-15-1841  
Du Bushing (Tamping Shaft)  
4 per machine



I-15-1015  
Tamper Bearing Block  
2 per machine



I-15-1604  
Linear Bearing, Tamping  
Columns, LME-6090125UUAJ  
4 per machine



I-20-0235  
Tamper Guide Plate, 16 CT  
1 per machine

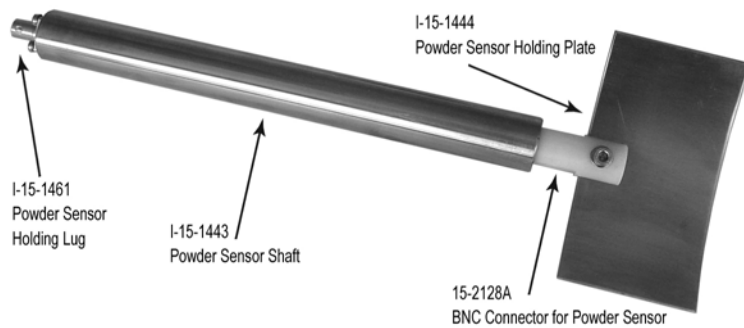
# TAMPING AND POWDER DOSING



I-20-0232  
Powder Ring Plate, 16 CT  
1 per machine



I-20-0234  
Powder Wiper, 16 CT  
1 per machine



I-15-1443PSA  
Powder Sensor Shaft Probe Assembly

- Consisting of:
- I-15-1443 Powder Sensor Shaft
  - I-15-1444 Powder Sensor Holding Plate
  - I-15-1461 Delrin Plastic Powder Sensor Holding Lug
  - I-15-2128A BNC Connector for Powder Sensor

**Note: Diagram shows i-15-1461 pointing at i-15-2128A and vice versa**



I-1151-101028  
ENT-6, Eurodex Capacitive  
Powder Level Control  
1 per machine

## TAMPING AND POWDER DOSING



I-15-1429  
Powder Sensor Holding Collar  
1 per machine



I-15-1262  
Powder Retaining Ring  
1 per machine



I-15-0103S  
Dosing Disc Scraper  
1 per machine



I-15-0104  
Tamping Ring, Bronze  
1 per machine



I-15-1100  
Tamping Ring Scraper  
1 per machine



I-15-1450  
Dosing Disc Mount Plate  
1 per machine

## TAMPING AND POWDER DOSING



I-15-1270  
Vacuum Ring Cover Plate  
1 per machine



I-15-1114  
Vacuum Ring for Dosing Station  
1 per machine



I-15-0145  
Powder Geneva Drive  
1 per machine



I-15-1260  
Bearing Stud (Powder Station  
Locking Arm & Geneva Drive)  
2 per machine



I-15-1615  
Ball Bearing, Top Cam/Dosing  
Shaft, 6008-2RS  
2 per machine

## TAMPING AND POWDER DOSING



**I-15-1055PG**

Brake Shoe Base Powder Geneva  
1 per machine



**I-15-1621**

Cam Follower Modified,  
Tamping Cam, CF-24-BR  
2 per machine



**I-15-1062**

Tamping Cam  
1 per machine



**I-15-1068**

Tamping Cam Arm Set  
1 per machine



**I-15-1070**

Dosing/Peanut Cam  
1 per machine

# TAMPING AND POWDER DOSING



I-15-1070H  
Dosing Cam Hub  
1 per machine



I-15-1085  
Tamping Station Housing Shaft  
2 per machine



I-15-1097  
Powder Agitator Complete  
1 per machine



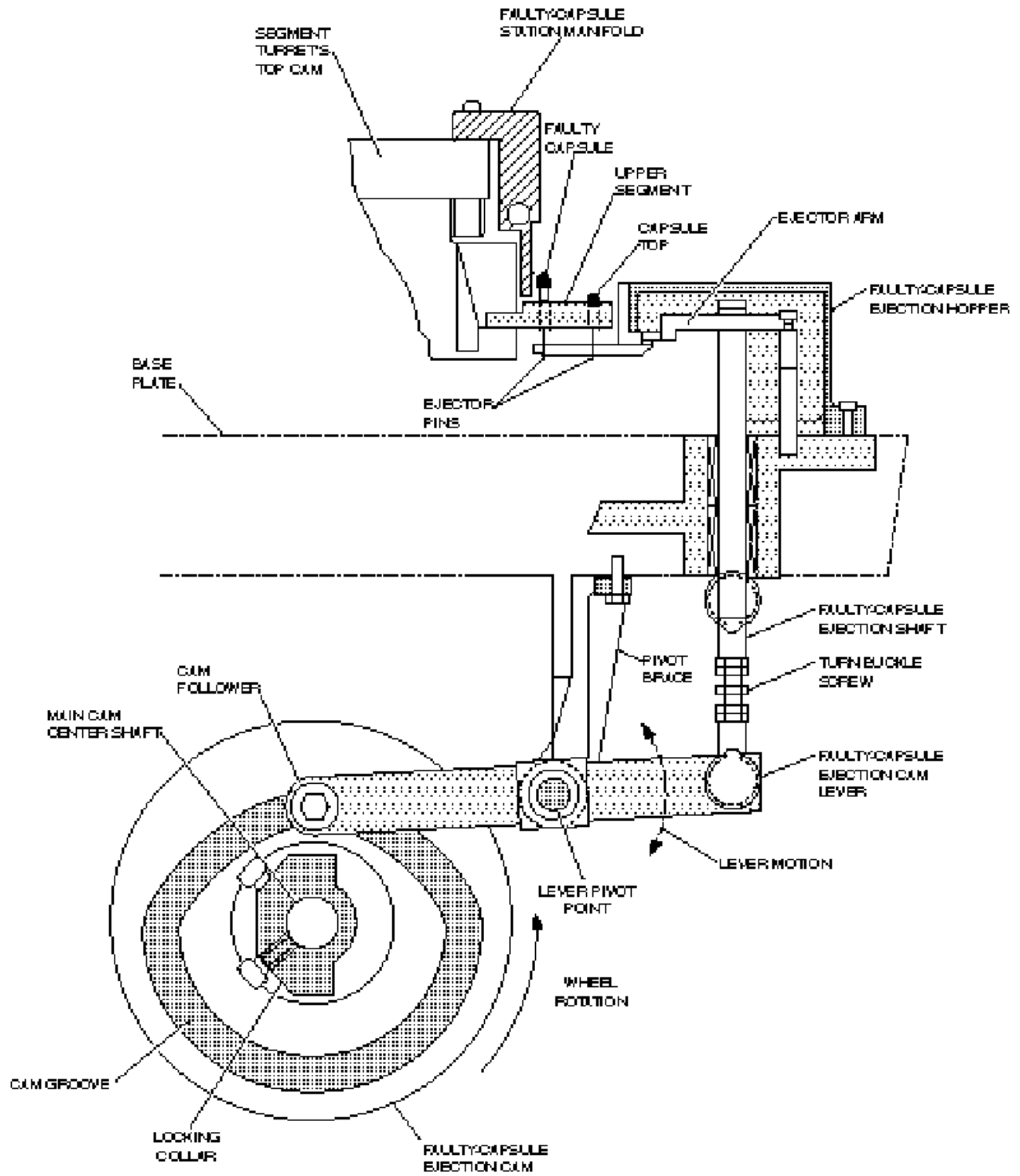
I-15-1267  
Auger Screw, Pitch 30.0mm  
1 per machine



I-15-1290  
Auger Screw , 52.0mm / 2.0"  
Pitch, Standard  
1 per machine



# FAULTY CAPSULE REJECTION



## FAULTY CAPSULE REJECTION



**I-15-1060**  
Faulty Capsule Ejection Cam  
1 per machine



**I-15-1109**  
Faulty Capsule Hopper  
1 per machine



**I-15-0151**  
Faulty Station Drive Shaft  
1 per machine

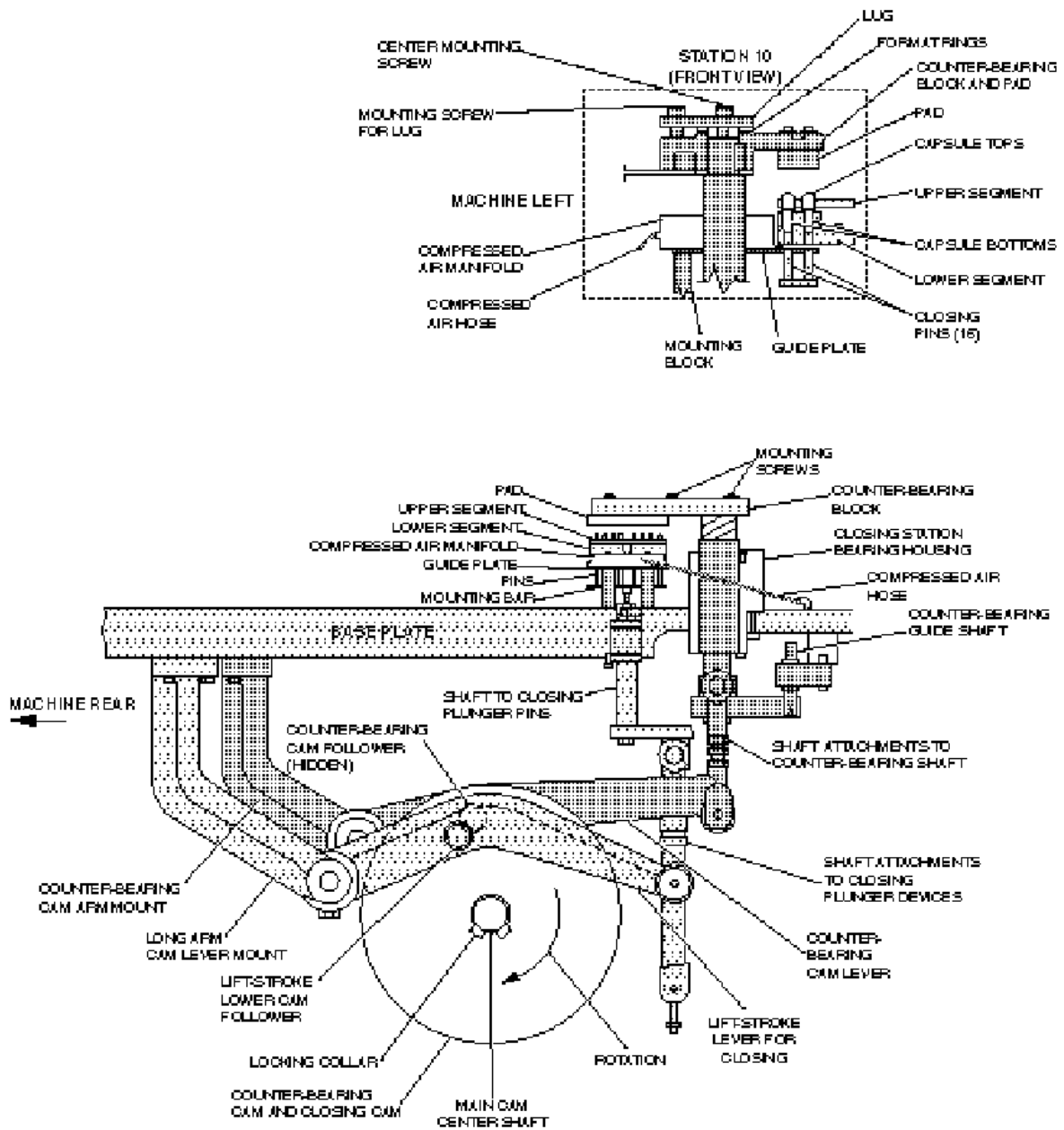


**I-20-0238**  
Selection Arm, Faulty Ejection,  
16 CT  
1 per machine



**I-20-0242**  
Faulty Ejection Station Manifold,  
16 CT  
1 per machine

# CLOSING STATION



# CLOSING STATION

## CLOSING PINS for 16 CT MACHINE

Part Number	Description	Size	Capsule Size	Guide Plate
I-20-0239CS-4.0	Closing Pin, 16 CT, Concave with Slots, 4.0mm	4.0mm	"2", "3", "4", "5"	I-20-0240-4.0
I-20-0239CS-4.5	Closing Pin, 16 CT, Concave with Slots, 4.5mm	4.5mm	"2", "3", "4"	I-20-0240-4.5
I-20-0239CS-5.0	Closing Pin, 16 CT, Concave with Slots, 5.0mm	5.0mm	"1", "0"	I-20-0240-5.0
I-20-0239CS-5.5	Closing Pin, 16 CT, Concave with Slots, 5.5mm	5.5mm	"0", "00"	I-20-0240-5.5
I-20-0239CS-6.0	Closing Pin, 16 CT, Concave with Slots, 6.0mm	6.0mm	"0", "00"	I-20-0240-6.0
I-20-0239CS-6.5	Closing Pin, 16 CT, Concave with Slots, 6.5mm	6.5mm	"00"	I-20-0240-6.5

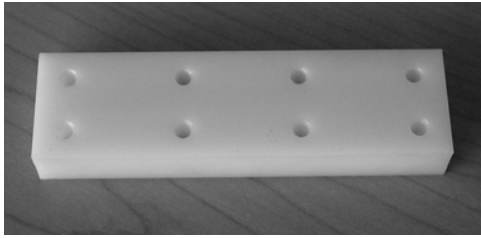
Please notice that the pins are sized by their diameter in mm, included above is Index's recommended size capsules that can be run with each size of closing pin.

EACH SIZE PIN REQUIRES A SPECIFIC GUIDE PLATE FOR THAT SIZE.



I-20-0241  
Closing/Ejection Pin Holder  
Plate, 16 CT  
2 per machine

## CLOSING STATION



I-15-0120-01  
Upper Closing Pad, Delrin  
1 per machine



I-15-0121  
Upper Closing Lug  
1 per machine



I-15-0154  
Closing Station Shaft (old style)  
2 per machine



I-15-2301  
Closing Station Shaft (new style)  
2 per machine



I-15-1016  
Closing Station Bearing Housing  
1 per machine

## CLOSING STATION



I-15-1022  
Closing Shaft Bracket  
1 per machine



I-15-1023  
Upper Closing Shaft Bracket  
1 per machine



I-15-1024  
Upper Closing Shaft Bracket  
1 per machine



I-15-1026  
Upper Closing Drive Shaft  
1 per machine



I-15-1036  
Upper Closing Shaft Guide  
1 per machine

## CLOSING STATION



I-15-1063  
Upper Closing Cam  
1 per machine



I-15-1064  
Lower Closing Cam  
1 per machine



I-15-1089  
Upper Closing Spacer Set (3)  
1 set per machine

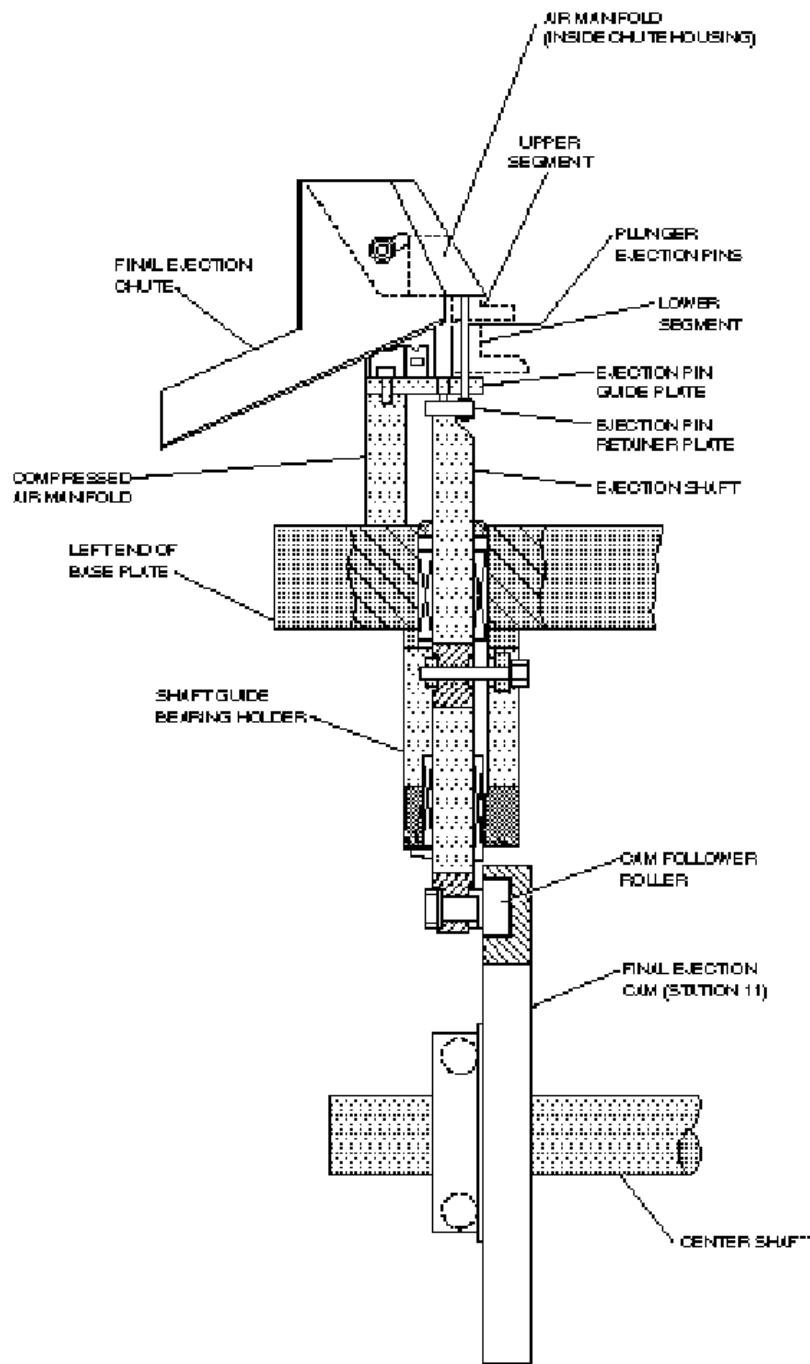


I-15-1602  
Linear Bearing, Top Closing  
Shaft  
2 per machine



I-15-1028  
Closing Lift Stroke Lever  
1 per machine

# EJECTION





# EJECTION



**I-15-0152**  
Ejection Station Drive Shaft  
1 per machine



**I-15-1018**  
Ejection Block  
1 per machine



**I-15-1061**  
Ejection Cam  
1 per machine



**I-15-1080**  
Ejection Chute Manifold  
1 per machine



**I-20-0243**  
Ejection Pin, 16 CT, 4.0mm  
16 per machine

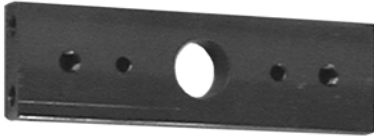


**I-20-0245**  
Ejection Pin Guide Plate, 16 CT  
1 per machine

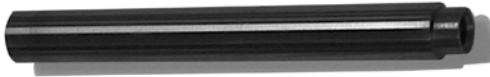


**I-20-0241**  
Closing/Ejection Pin Holder  
Plate, 16 CT  
2 per machine

# CLEANING



I-15-1435  
Cleaning Station Manifold Mount  
Block  
1 per machine



I-15-1436  
Cleaning Station Manifold Shaft  
1 per machine



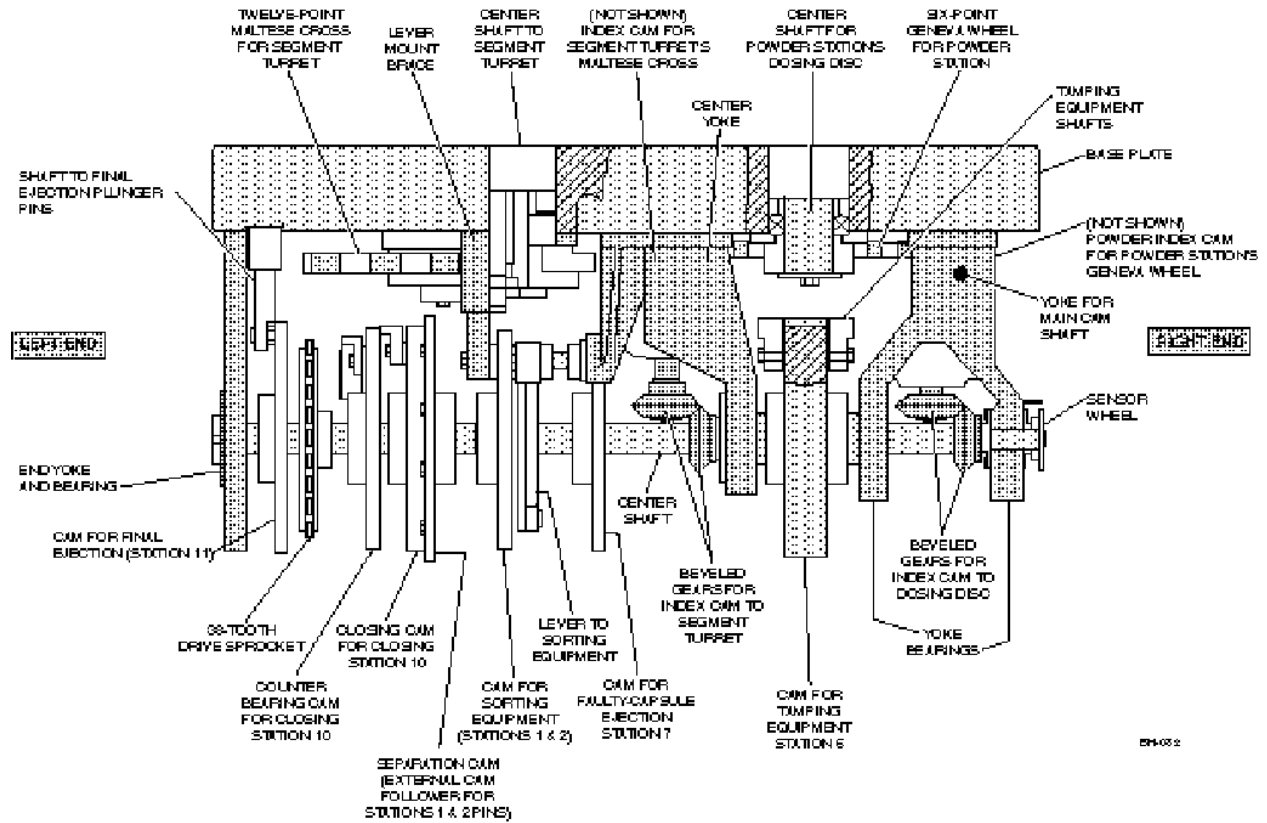
I-15-1451AT-2  
Air Tube  
16 per machine



I-20-0246  
Cleaning Pin Holder Plate  
1 per machine

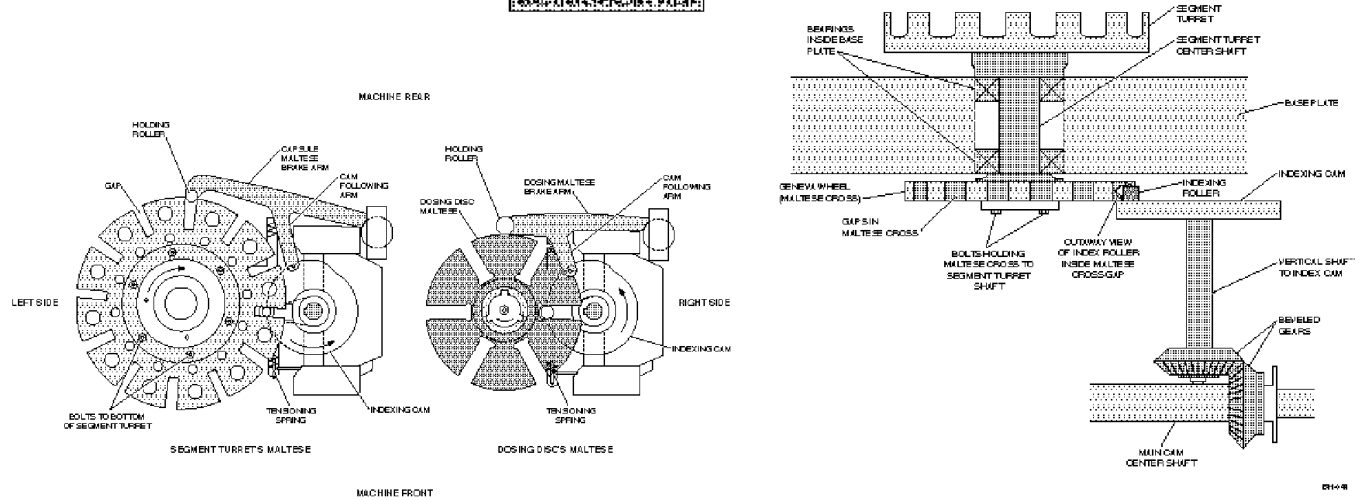
# MAIN DRIVE / MAIN SHAFT

MACHINE FRONT



214-02

MACHINE FRONT VIEW



214-04

## MAIN DRIVE / MAIN SHAFT



I-15-1112  
Main Shaft  
1 per machine



I-15-1057  
Yoke Shaft  
2 per machine



I-15-1057-K  
Yoke Shaft Key  
2 per machine



I-15-1104  
Bevel Gear, Yoke Shaft (30mm  
bore)  
2 per machine



I-15-1105

Bevel Gear, Main Shaft (40mm bore)

2 per machine

## MAIN DRIVE / MAIN SHAFT



I-15-1623

Cam Follower, Geneva Locking Arms, CF-10-BR

2 per machine



I-15-1624

Cam Follower, Main Shaft Cams, CF-12-BR

6 per machine



I-15-0148-size

Spring Clip Screw  
(each capsule size)

Long: 1 per machine

Medium: 2 per machine

Short: 4 per machine



I-15-0150  
Turn Buckle Screw 12mm  
3 per machine



I-15-1021  
Main Shaft Casting  
1 per machine

## MAIN DRIVE / MAIN SHAFT



I-15-1031  
Geneva Lever Arm  
1 per machine



I-15-1038  
Faulty Capsule Cam Lever  
1 per machine



I-15-1040  
Cam Arm Mount  
1 per machine



I-15-1041  
Cam Lever Magazine  
1 per machine



I-15-1047  
Separation Cam Arm  
1 per machine

## MAIN DRIVE / MAIN SHAFT



I-15-1620  
Double Ball Bearing, Powder  
Geneva Drive  
5 per machine



I-15-1627  
Rod End Left M12, PHS12LA,  
Sorting & Closing  
5 per machine



I-15-1628  
Rod End Right M12, PHS12A,  
Sorting & Closing Drives  
5 per machine



**I-15-1603**  
Linear Bearing, Main Table  
9 per machine



**I-15-1803**  
Rod Wiper, Main Table  
7 per machine